

Axis^{AX}

Intelligent Relay Module

Advanced Intelligent Relay Module is an application specific addressable module for use with the Axis^{AX} Series Intelligent Fire Alarm Control Panels. Each module is SLC loop powered, eliminating the need for additional field wiring and external power supplies.

Designed for installation on Advanced Axis^{AX} Series SLC (signaling line circuit) loop the Intelligent Relay Module provides two isolated Form "C" relay contacts for controlling a variety of auxiliary control functions, such as elevators, HVAC, door holders, dampers, control equipment, etc.

The relay module mounts to the front of a standard 4" square or 2-gang electrical outlet box and has a status LED which flash on device polling.

Compatible with the Axis^{AX} Series Dynamix I/O relationship programming, the Intelligent Relay Module's Form "C" outputs can be assigned to any input or output relationship, output group, timing function, gated function, etc. enhancing project specific control operations.

Relay ratings of each Form "C" contact is 24 VDC @ 2 Amp (resistive) or 30 VAC @ .5 Amp (resistive).



Unique Features:

- Compact Size
- Two Isolated Form "C" Relay Contacts
- Flexible Device Type Programming
- Loop Powered Directly from SLC Loop
- Cost-Effective & Trouble-Free Installation

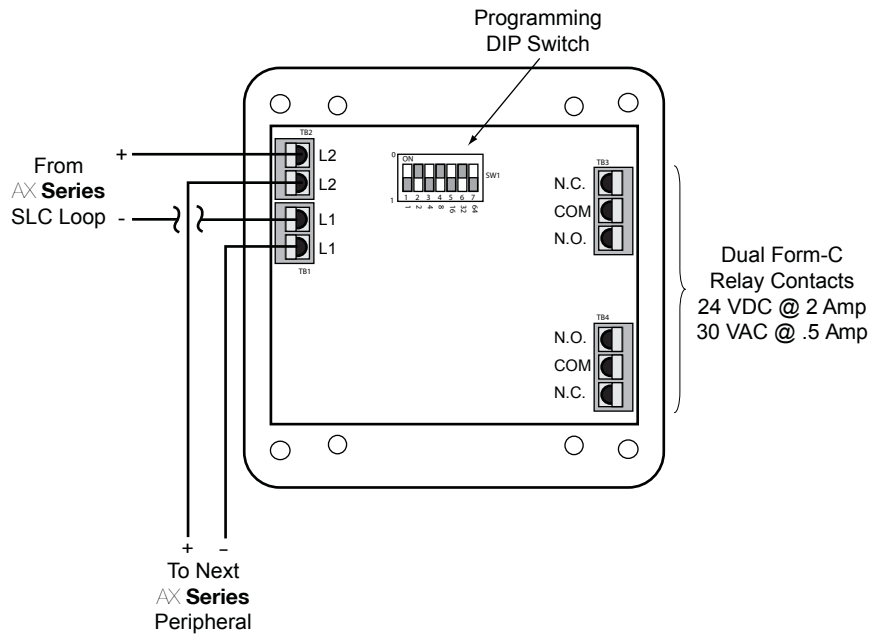
Features:

- 7 - Position Addressable DIP Switch
- Integral Polling Status LED
- 4" or 2-Gang Electrical Box Mounting
- Durable Construction

Listings and Approvals:

- ETL ANSI/UL 864 Listed: 3118002NYM-001B
- UL file: UOXX.S7003 / ML file: S24460
- CSFM Approved:7300-1713:0112

Relay Module - (55000-863ADV)



Intelligent Relay Module Specifications

AX Series SLC Loop	
Voltage	17-28 VDC
Modulation Voltage	5-9 VDC (peek to peek)
Supervisory Current	0.85 mA
Surge Current	2.5 mA
Alarm Current	3.5 mA (LED On) (Max.)
Line Impedance	50 Ω (Max.)
Relay Output Rating	
DC Voltage	24 VDC @ 2 Amp (Resistive)
AC Voltage	30 VAC @ .5 Amp (Resistive)
Wiring	Screw In-Out Terminals
Mounting	4" Square or 2-Gang Electrical Box
Dimensions (Diameter & Height)	4 1/2"W x 4 1/2"H x 1"D
Weight	2.8 oz
Operating Temperature	32 ^o -120 ^o F (0 ^o -49 ^o C)
Humidity	10-93% (non-condensing)

Ordering Information

55000-863ADV	Intelligent Relay Module
--------------	--------------------------



Advanced Fire Systems Inc
100 South Street, Hopkinton, MA 01748

Tel: (508) 435-9995
Fax: (508) 435-9990
Email: usa@advancedco.com
Web: www.advancedco.com

As our policy is one of constant product improvement the right is therefore reserved to modify product specifications without prior notice.